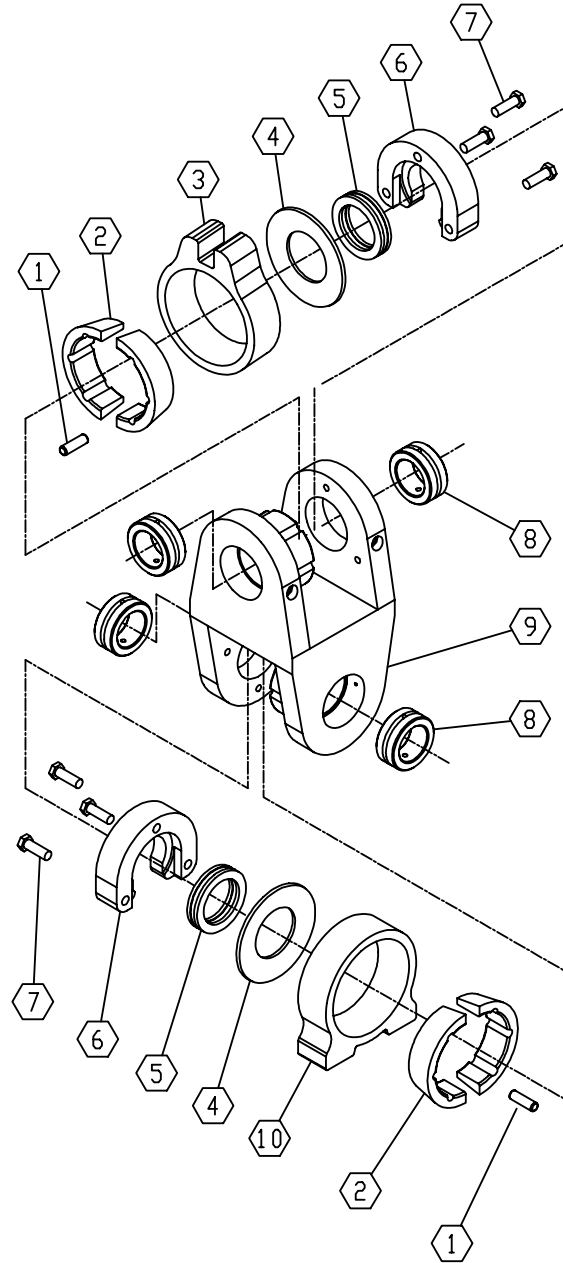


A580 SNUBBER BRAKE ASSEMBLY



REF. NO.	DESCRIPTION	PART NO.	QTY.
1	BRAKE SHEAR PIN	2057	12.00
2	BRAKE SHELL	2054	2.00
3	OUTER BRAKE HOUSING	2053	1.00
4	BELLEVILLE WASHER	21117	2.00
5	THRUST BEARING	21142	2.00
6	ADJUSTER PLATE 1/2" BOLT	2064	2.00
7	ADJUSTER BOLT	2149	6.00
8	PIN BUSHING	2010	4.00
9	SNUBBER LINK	A579	1.00
10	OUTER BRAKE HOUSING	2052	1.00